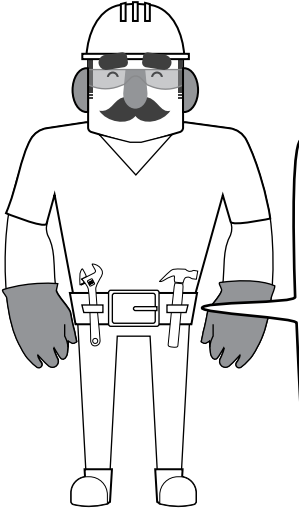
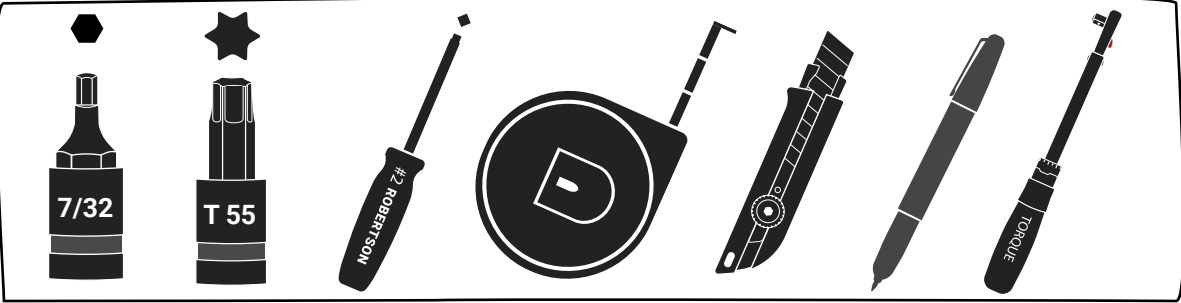


# INSTALLATION INSTRUCTIONS: 2015+ COLORADO/CANYON CAB GUARD

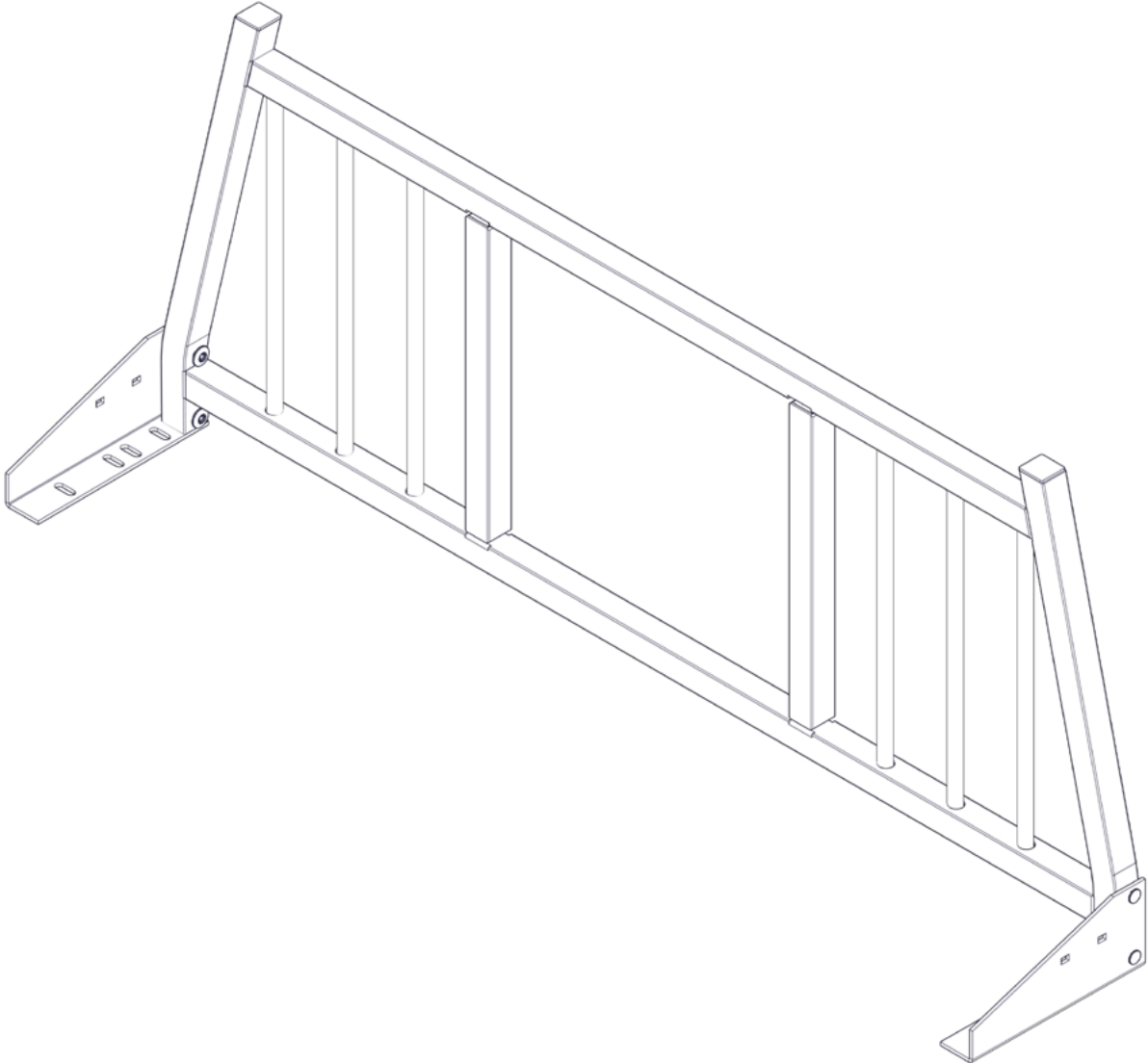


## TOOLS NEEDED:



## CAUTION:

This equipment is designed to be professionally installed by an approved up-fitter. Always wear ear and eye protection and exercise caution when installing Westcan products.

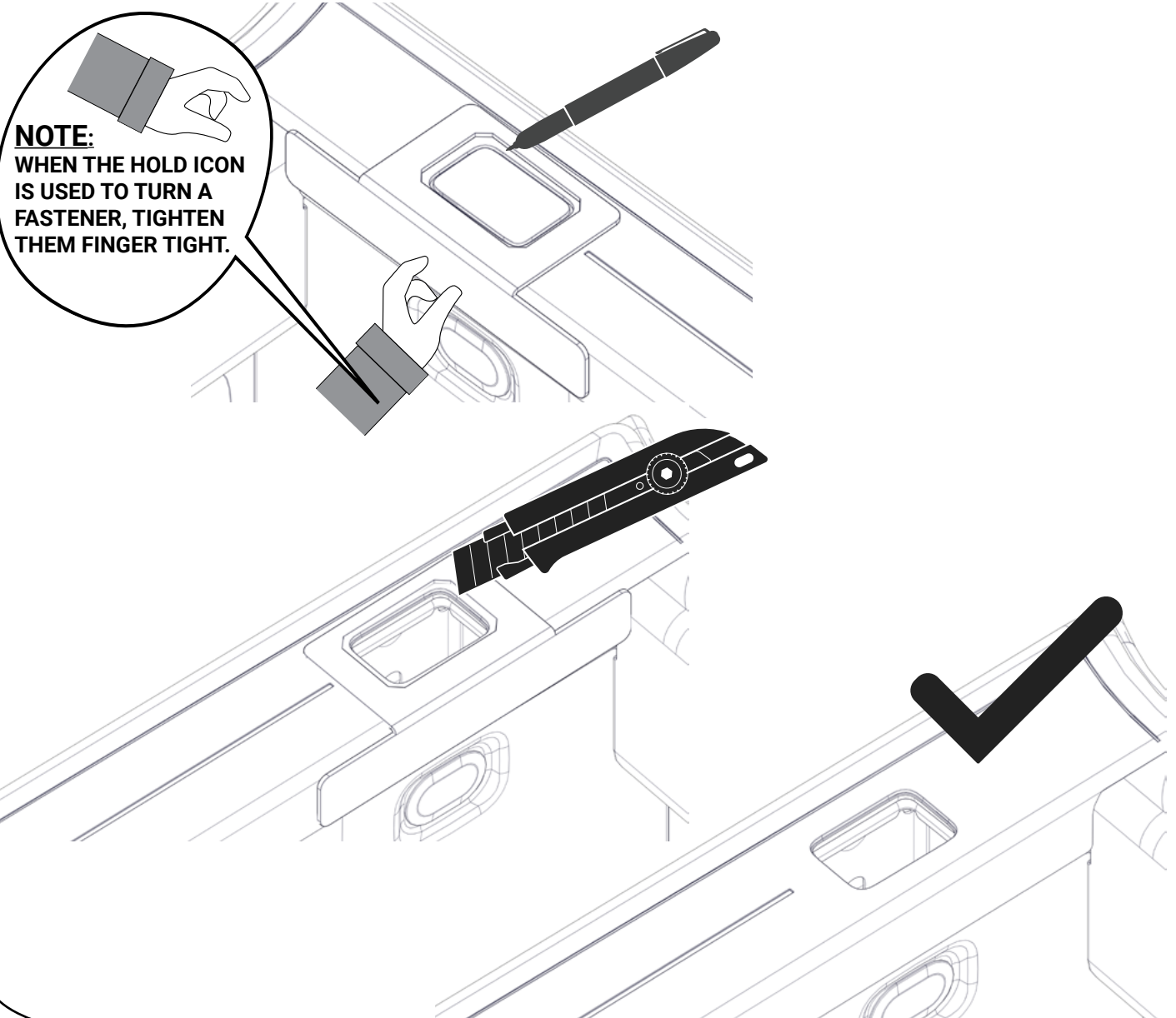


## PREPARATION:

1. Ensure all parts are present and accounted for before installation. **Begin the installation of your cabguard before your rail caps.** Plan the location of your installation ahead of time and make sure your installation location does not impede any other components you are installing or damage the safety and functionality of your vehicle.
2. Exercise extreme diligence when drilling holes into a motor vehicle. Increasing complexity and model year changes can alter the location of fuel, hydraulic and electrical lines. Please visually inspect all locations prior to drilling.
3. Re-Torque the 3/8" x 1-3/4" Stainless Steel Countersink Bolt every 3 month.

## BOX CAP PREPARATION:

Some truck box lengths require the plastic truck box caps to be cut to expose the stake pocket cutout. Use the provided cardboard template as a guide for cutting the box cap. Exercise caution when cutting caps to avoid injury.

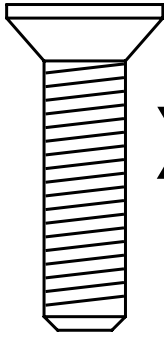


1.

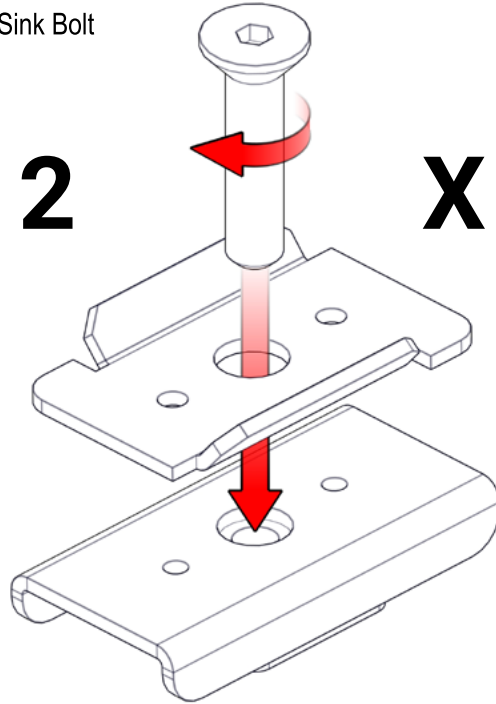
**CUT PLASTIC CAPS TO EXPOSE FRONT STAKE POCKET.**

2.

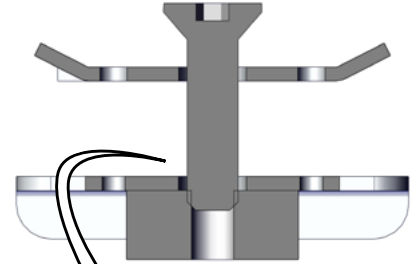
3/8 X 1 3/4 Stainless Steel Counter Sink Bolt



**X 2**



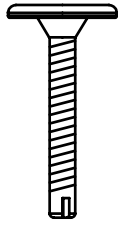
**X 2**



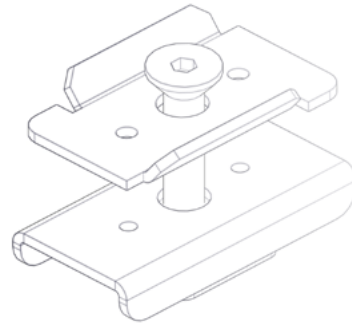
**THIS GAP IS  
REQUIRED FOR  
INSTALLATION**

3.

#10 - 1" Plated Zinc Robertson Powerhead Drill Tip Screw

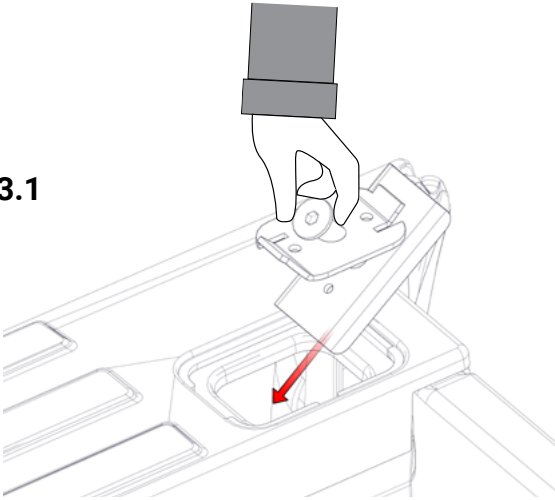


**X 4**

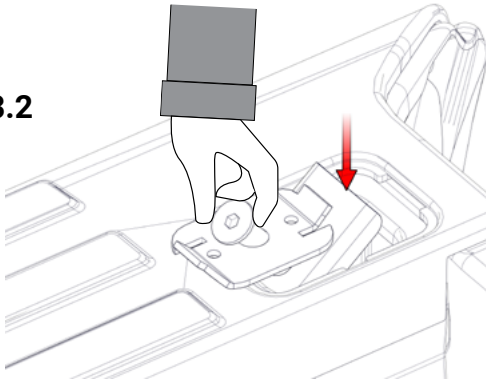


**X 2**

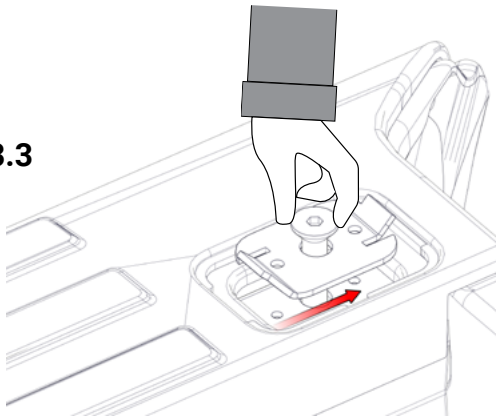
3.1



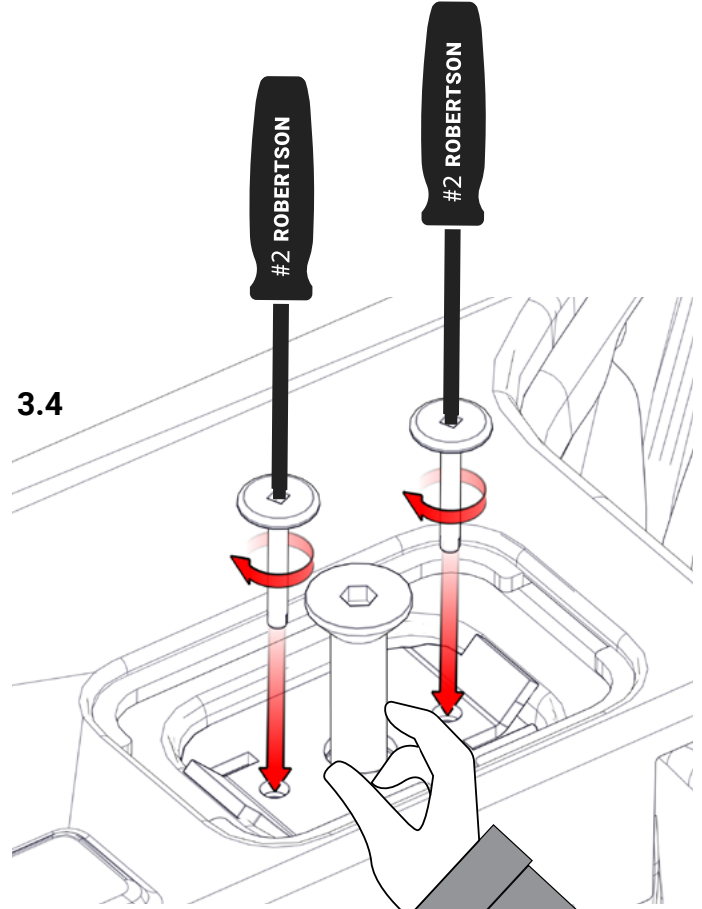
3.2



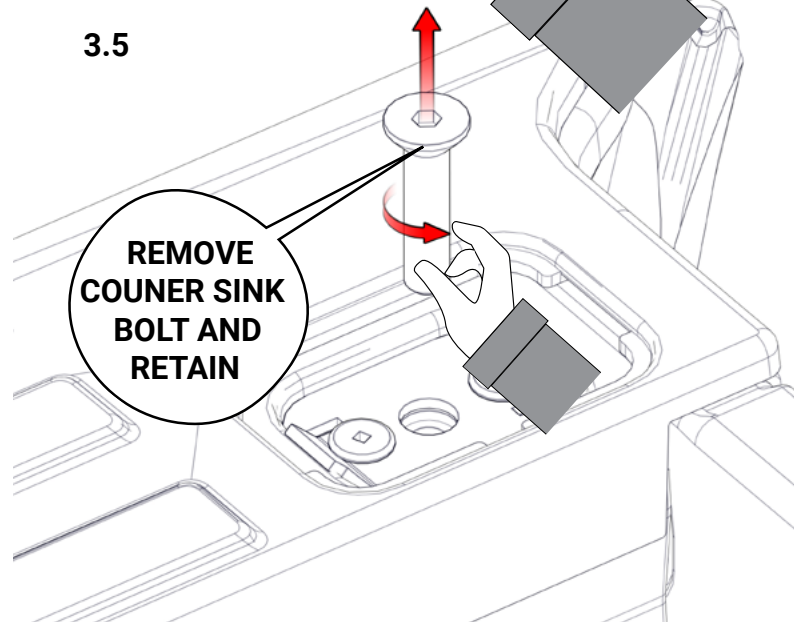
3.3



3.4

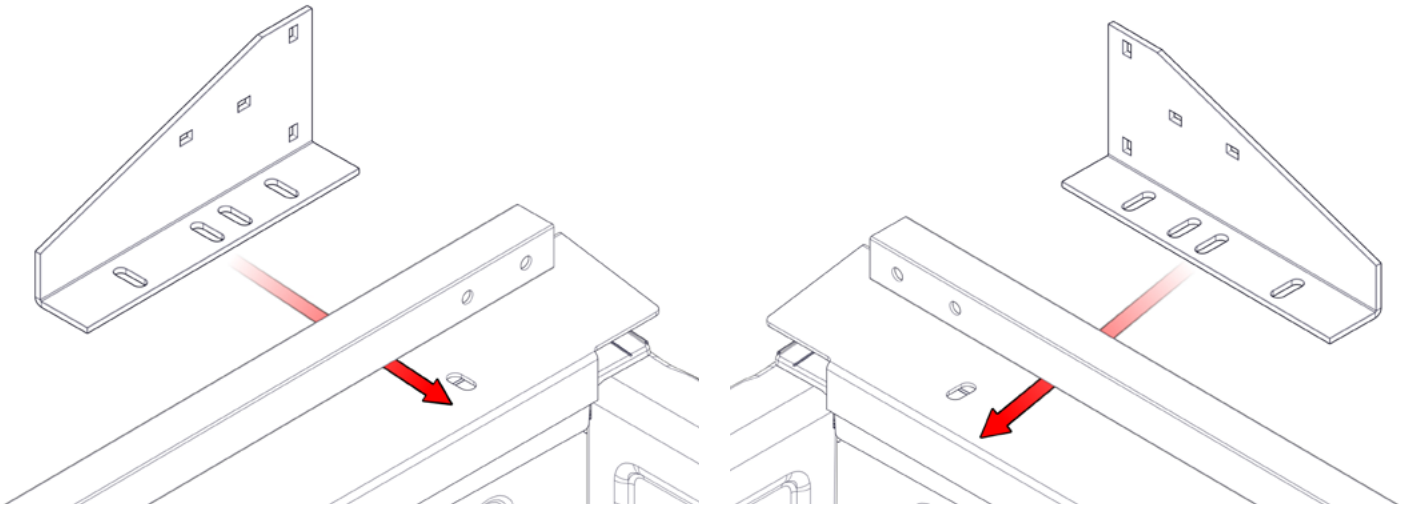


3.5



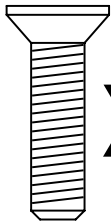
**IF REQUIRED, INSTALL YOUR RAILCAPS PRIOR TO PROCEEDING WITH STEP 4 OR GO TO STEP 13 FOR INSTALLATIONS WITHOUT RAILCAPS.**

**4.**



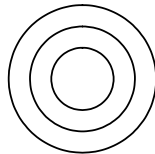
**5.**

3/8 X 1 3/4 Stainless Steel Counter Sink Bolt

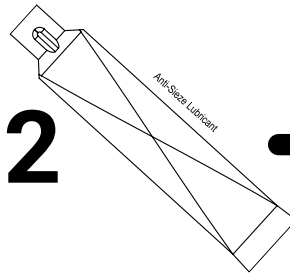


**X 2**

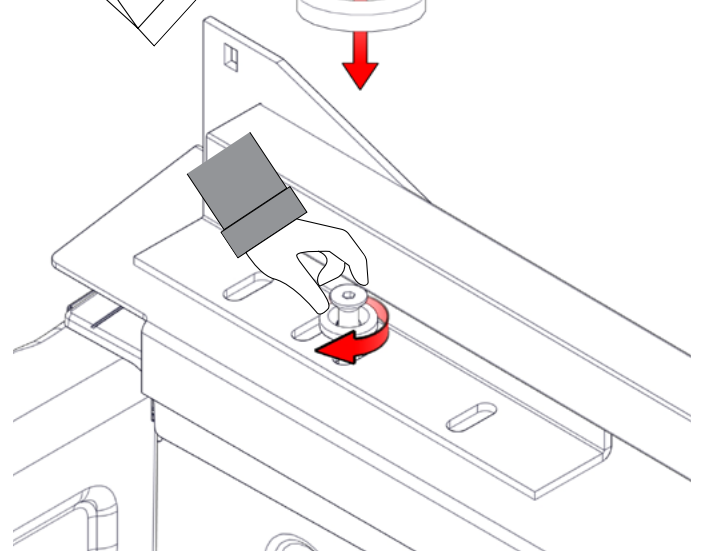
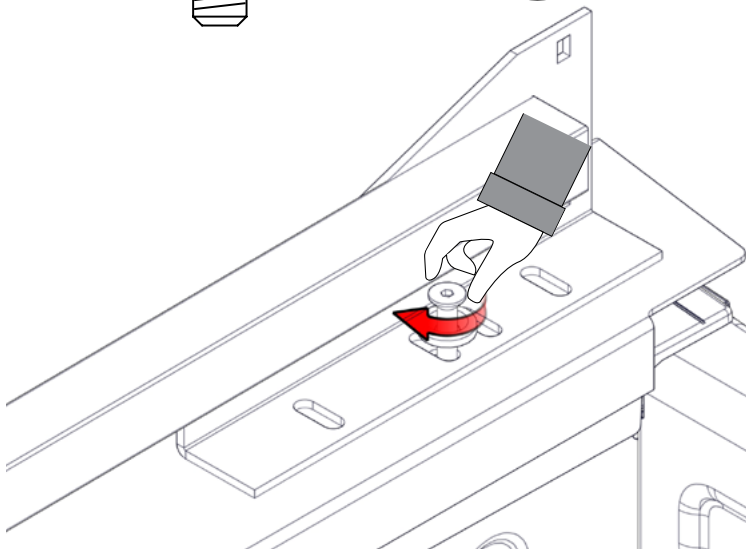
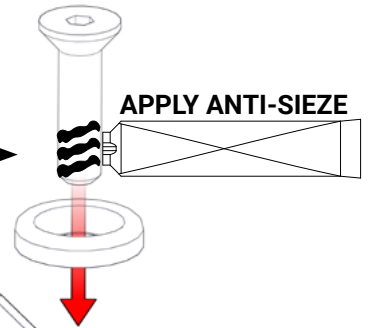
3/8" Stainless Steel Finishing Washer



**X 2**



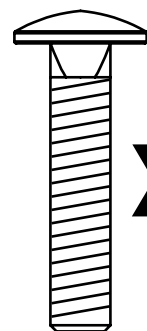
**APPLY ANTI-SIEZE**



**6.**

**HARDWARE FOR STEP 6-7 IS INCLUDED WITH YOUR RAILCAPS.**

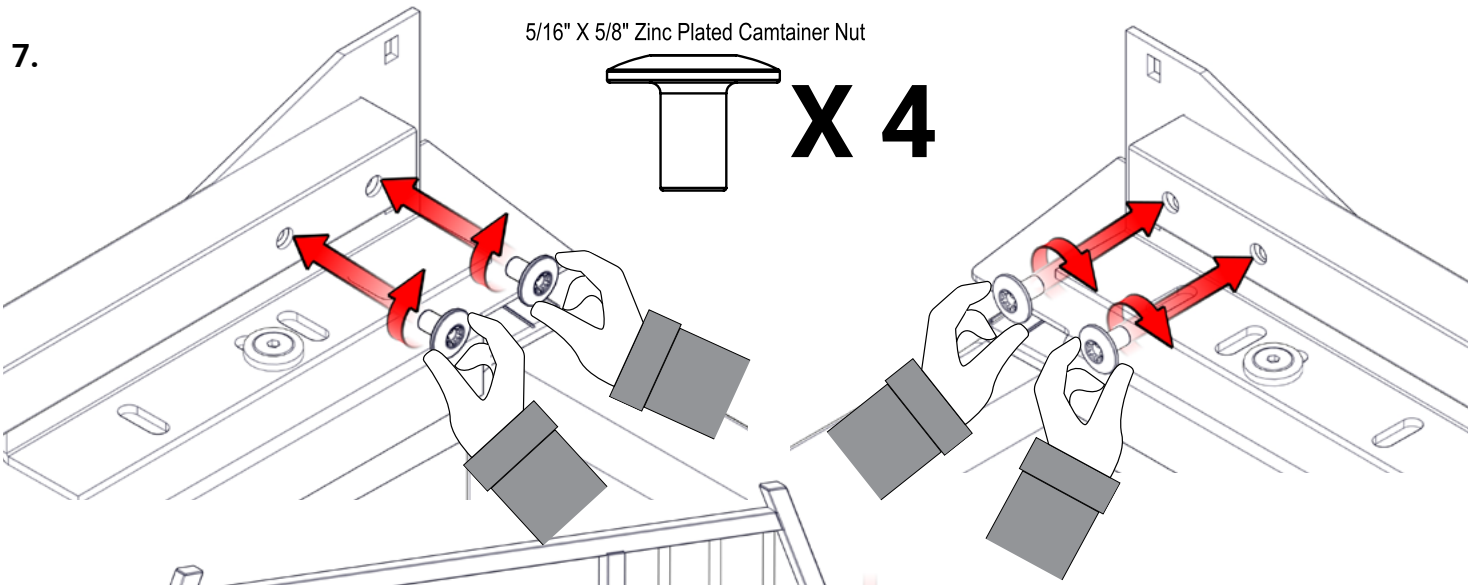
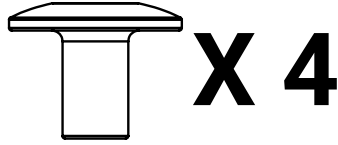
5/16 X 1-1/2 Stainless Steel Carriage Bolt



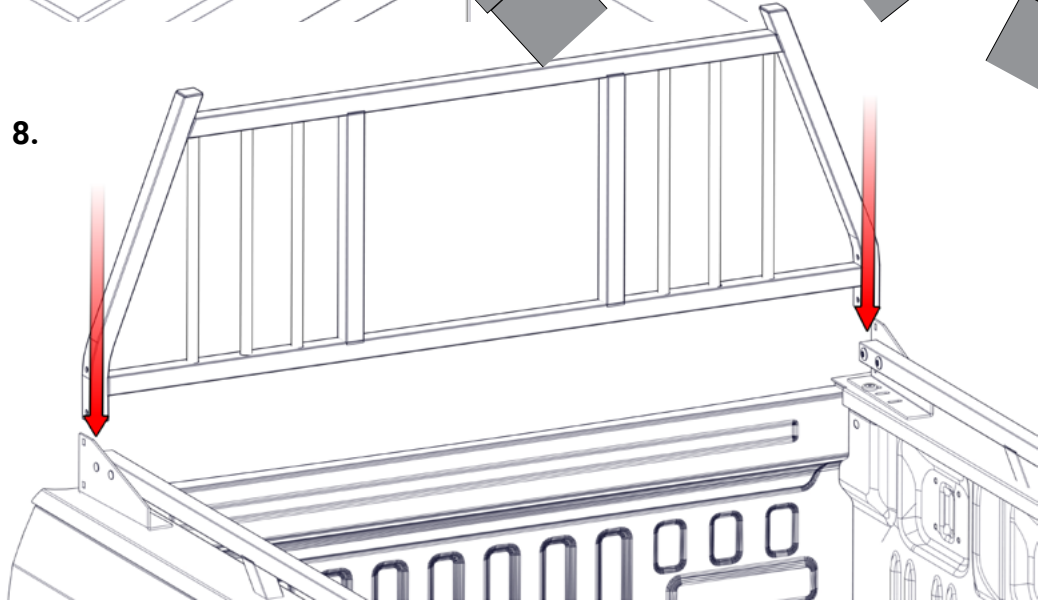
**X 4**

7.

5/16" X 5/8" Zinc Plated Camtainer Nut



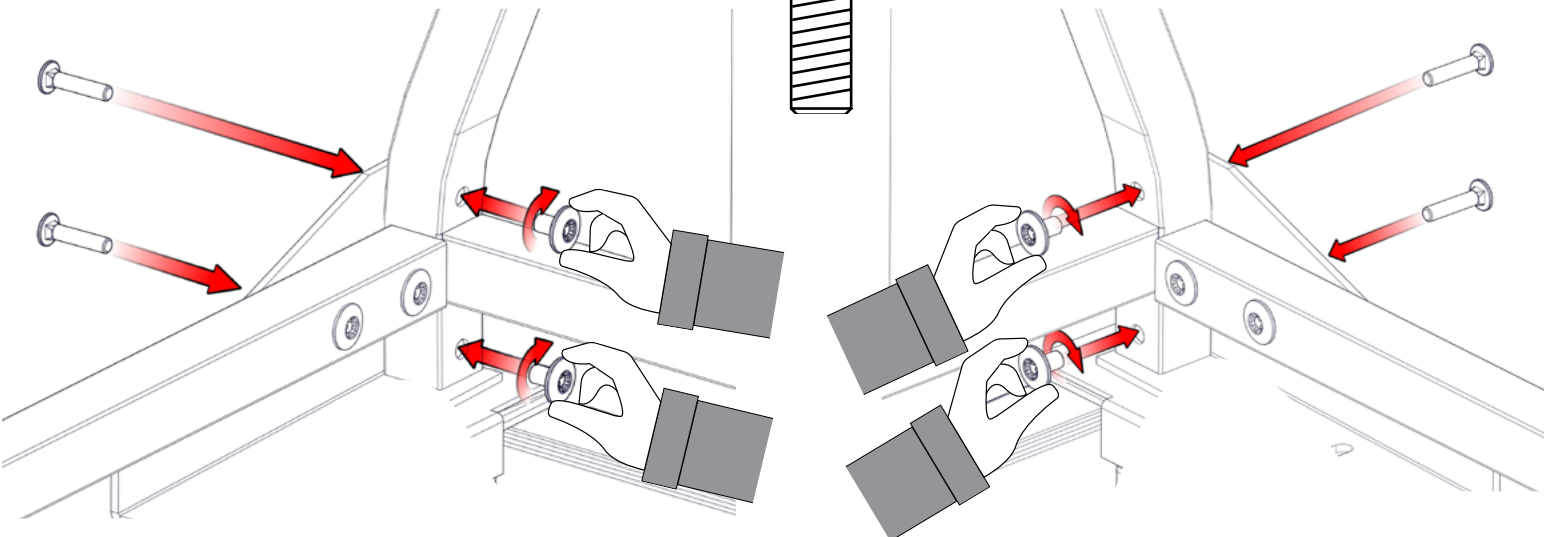
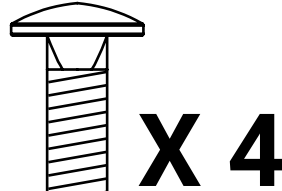
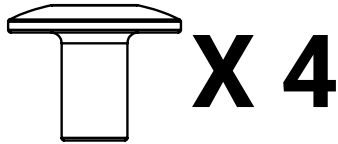
8.



9.

5/16" X 5/8" Zinc Plated Camtainer Nut

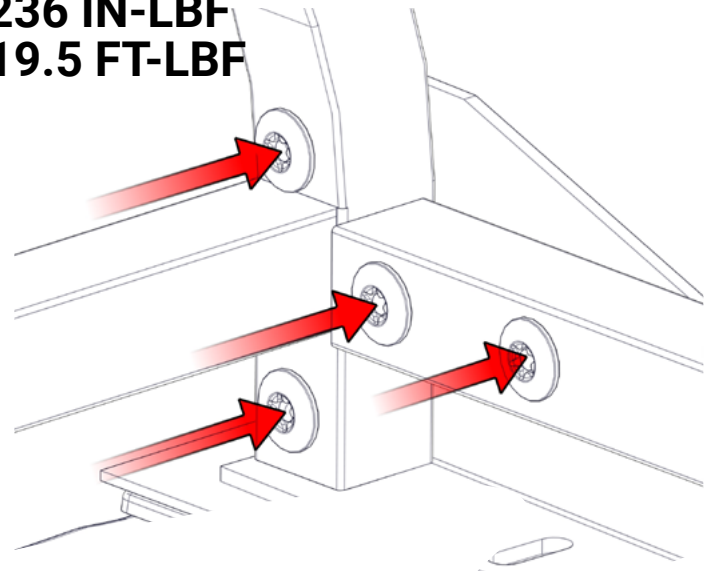
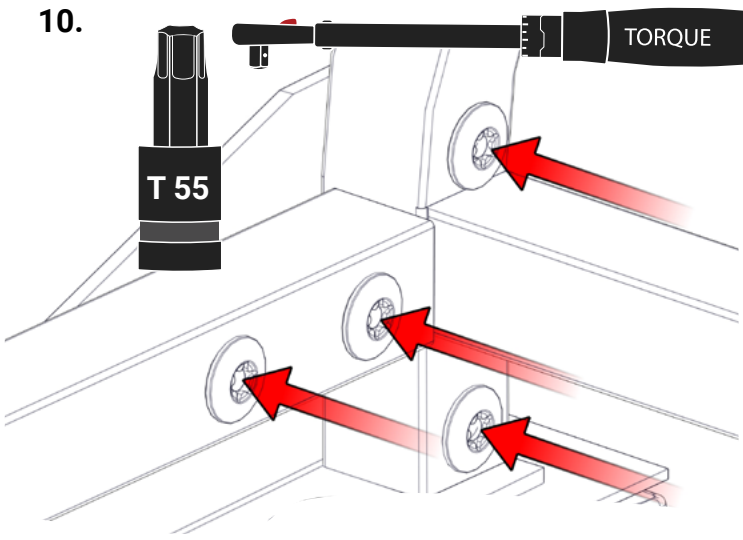
5/16 X 1-1/2 Stainless Steel Carriage Bolt



10.



=236 IN-LBF  
=19.5 FT-LBF



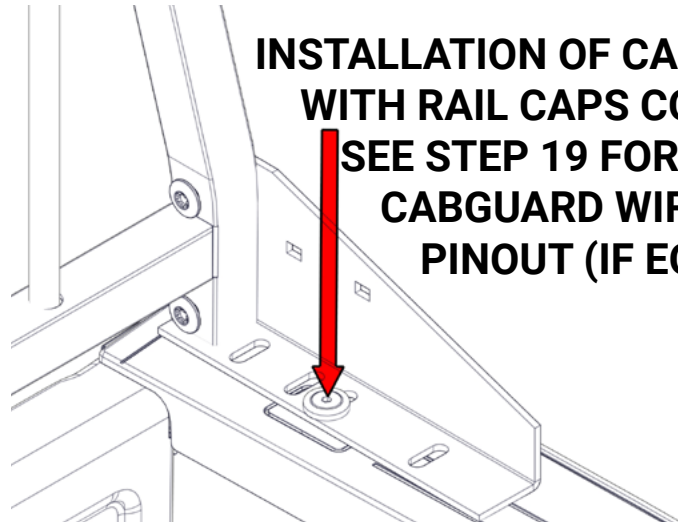
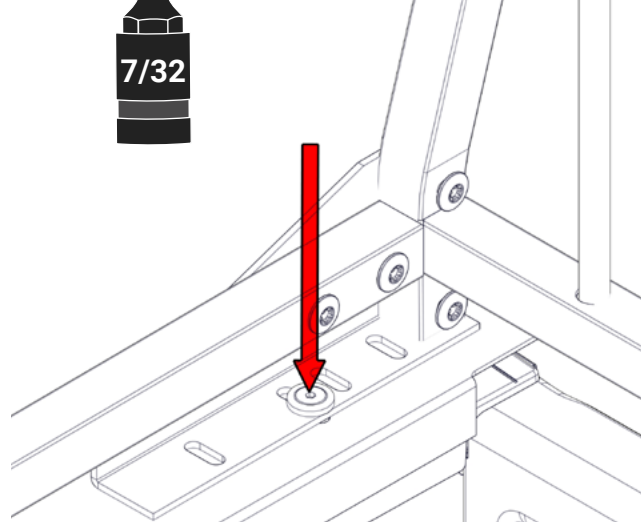
11.

# CENTER CAB GUARD ON TRUCK BOX.

12.



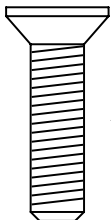
=90 IN-LBF  
=7.5 FT-LBF



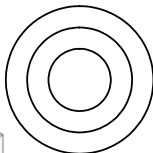
**INSTALLATION OF CABGUARD WITH RAIL CAPS COMPLETE. SEE STEP 19 FOR LED CABGUARD WIRING PINOUT (IF EQUIPPED).**

13. 3/8 X 1 3/4 Stainless Steel Counter Sink Bolt

3/8" Stainless Steel Finishing Washer

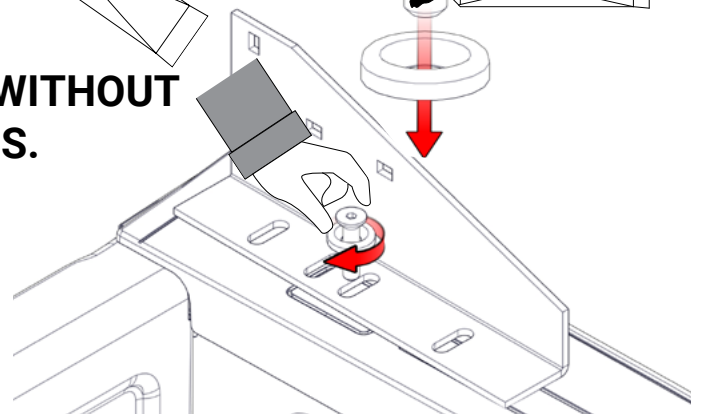
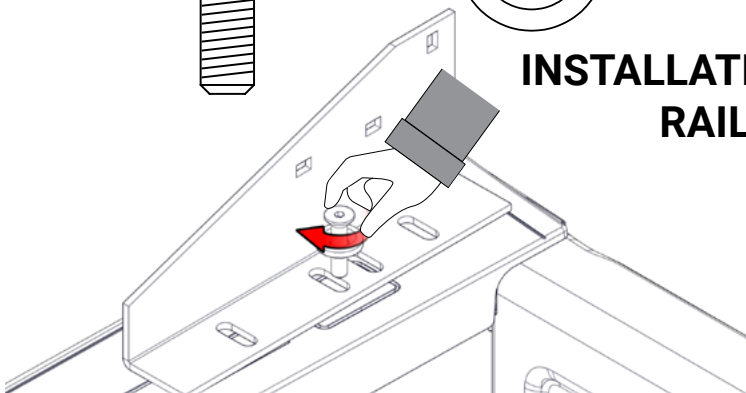
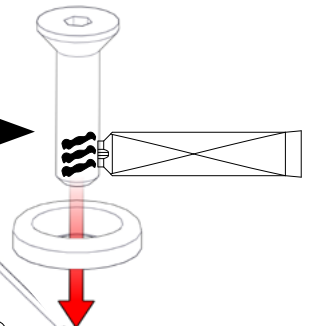
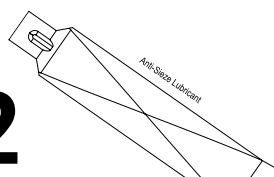


**X 2**

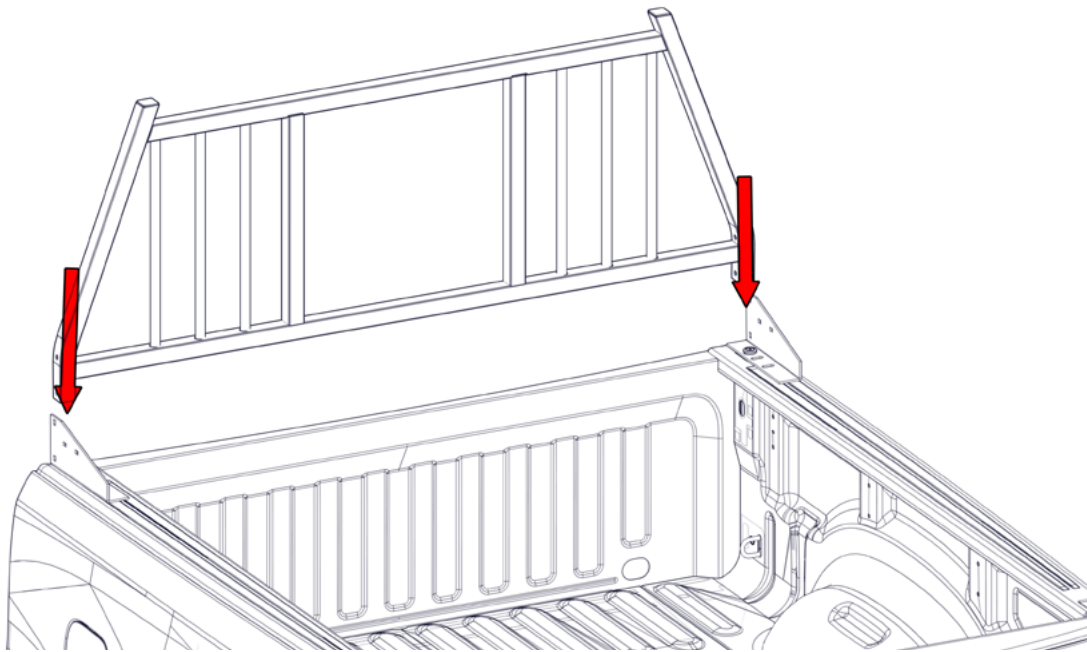


**X 2**

**INSTALLATION WITHOUT RAILCAPS.**



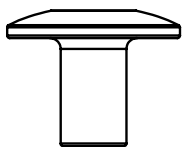
14.



15.

5/16" X 5/8" Zinc Plated Camtainer Nut

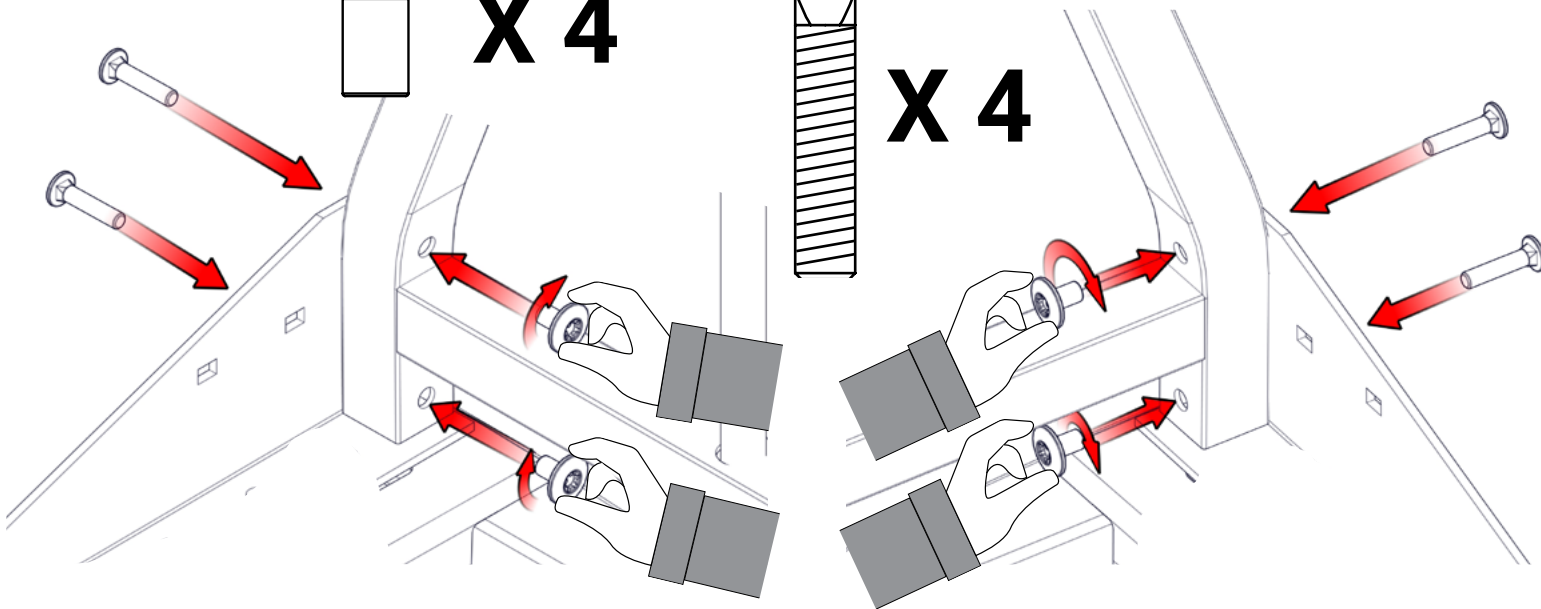
5/16 X 1-1/2 Stainless Steel Carriage Bolt



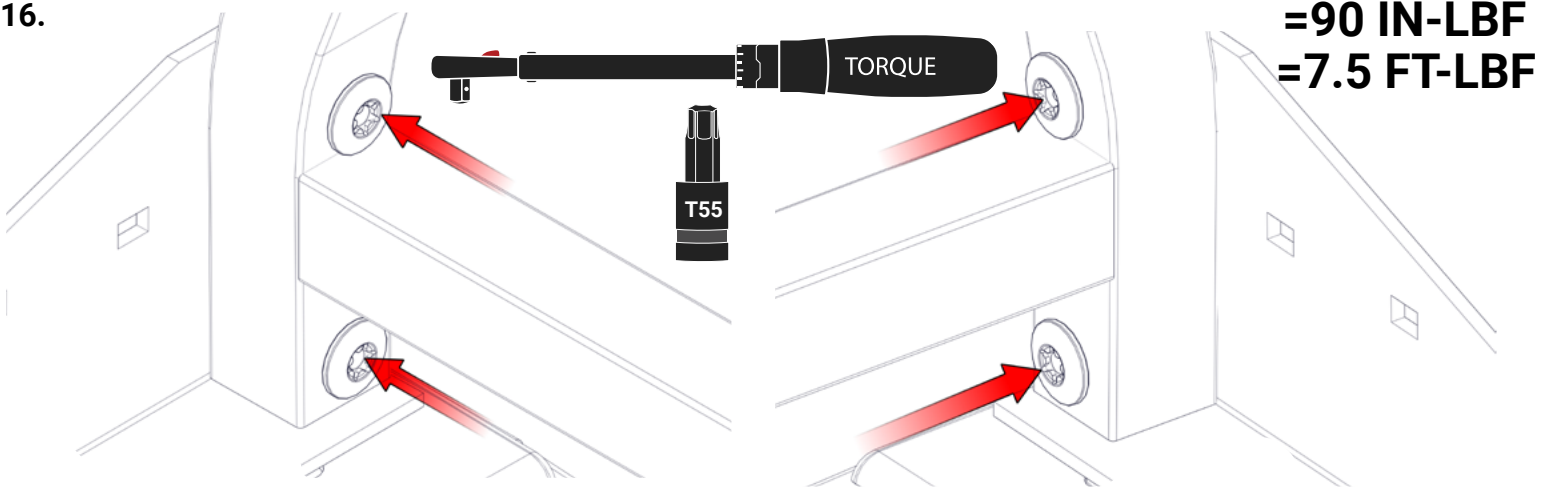
**X 4**



**X 4**

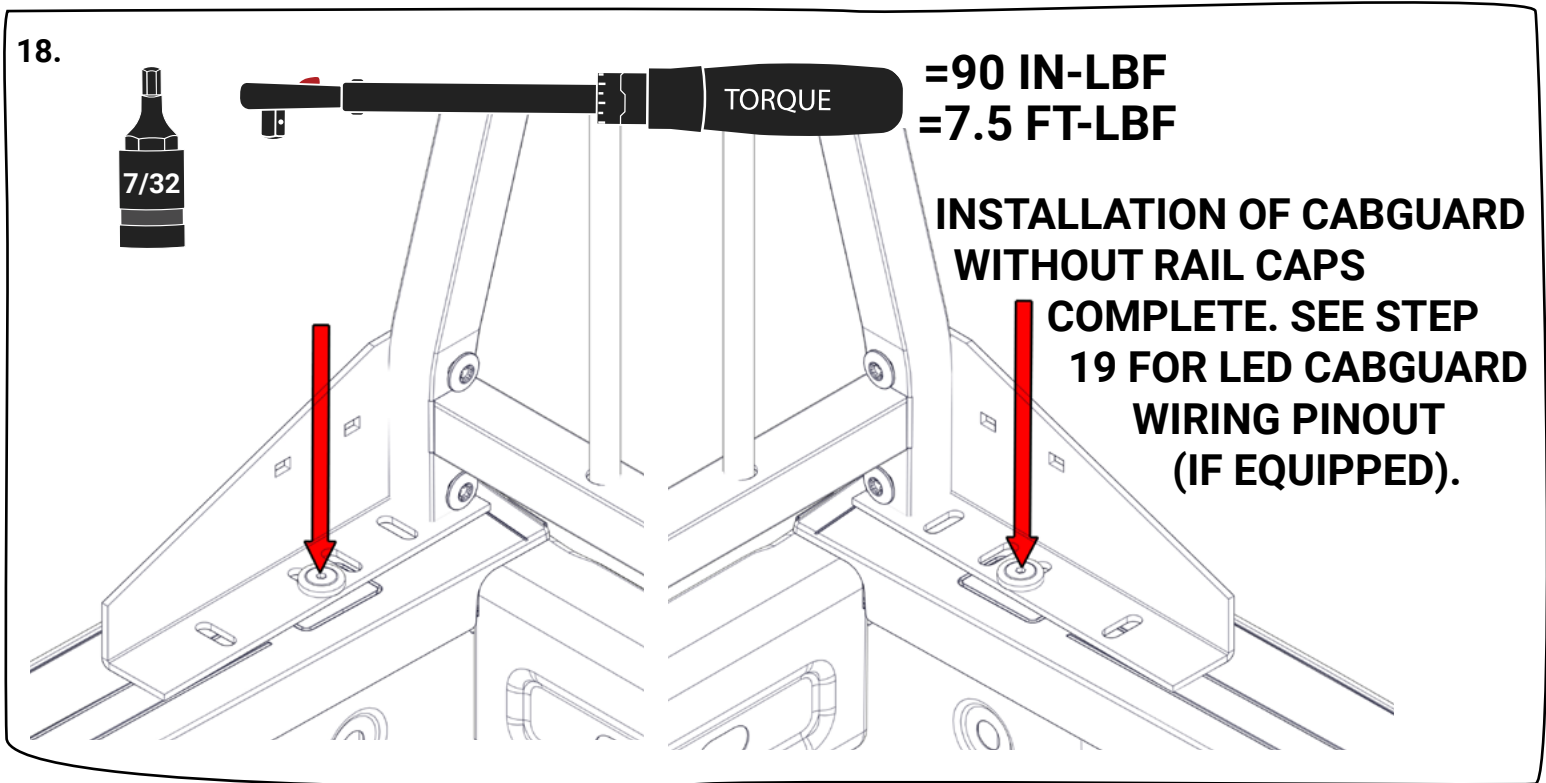


16.





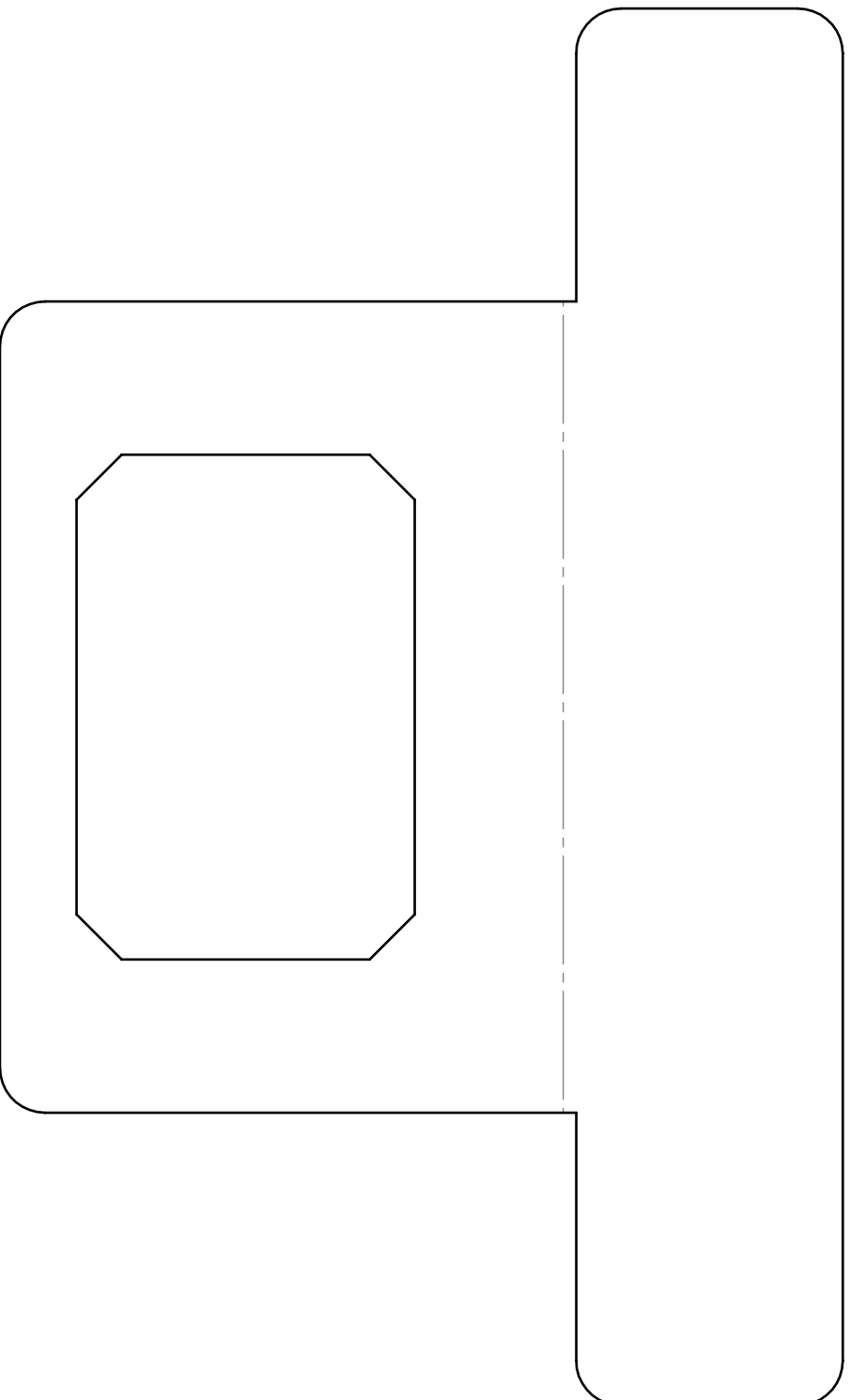
**17. CENTER CAB GUARD ON TRUCK BOX AND INSTALL A SECONDARY HOLD DOWN KIT.**



**19. IF YOUR INSTALLING A LED CABGUARD PLEASE REFER TO THE WIREING PINOUT BELOW.**

- **Red = Left Turn Signal**
- **Yellow = Right Turn Signal**
- **Black = Tail / Marker Lights**
- **Blue = Back Up Lights**
- **White = Chassis Ground**

PRINT OUT AT A 1:1 SCALE AND CUT OUT. FOLD ALONG DOTTED LINE.



**WESTCAN**

MANUFACTURING LTD.

DESCRIPTION: Colorado/Canyon front stakepocket cutout template

Rev:

DRAWN BY: DTocher

DATE: 14/05/18

MATERIAL:

Sheet 1 OF 1

PART NR:

PROPRIETARY AND CONFIDENTIAL  
THE INFORMATION CONTAINED IN THIS DRAWING IS THE SOLE PROPERTY OF WESTCAN MANUFACTURING LTD. ANY REPRODUCTION IN PART OR AS A WHOLE WITHOUT THE WRITTEN PERMISSION OF WESTCAN MANUFACTURING LTD IS PROHIBITED.

UNLESS OTHERWISE SPECIFIED, DIMENSIONS ARE IN INCHES			
TOLERANCE			
ANG.	FRAC.	.XX	.XXX
± 0.5°	1/32"	±0.01"	±0.005"