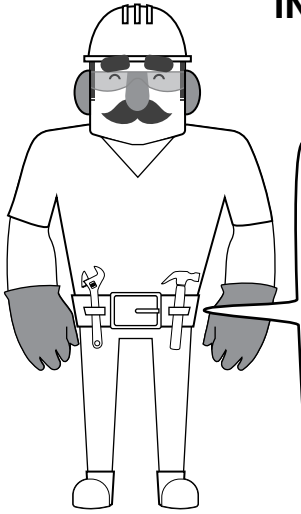
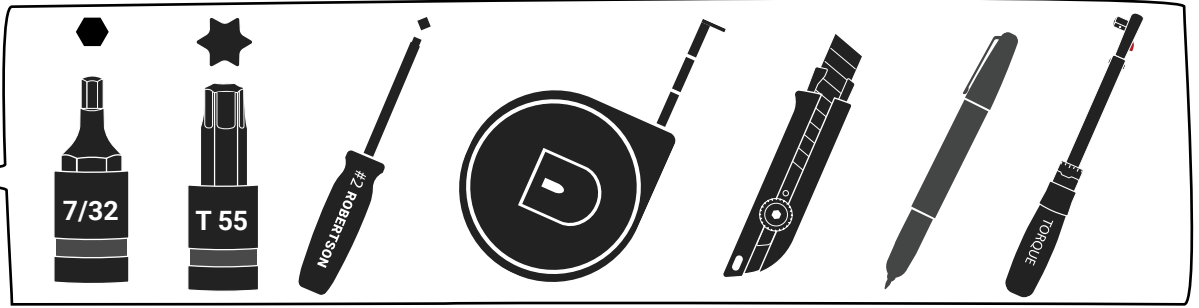


INSTALLATION INSTRUCTIONS: 2019+ RAM CABGUARD

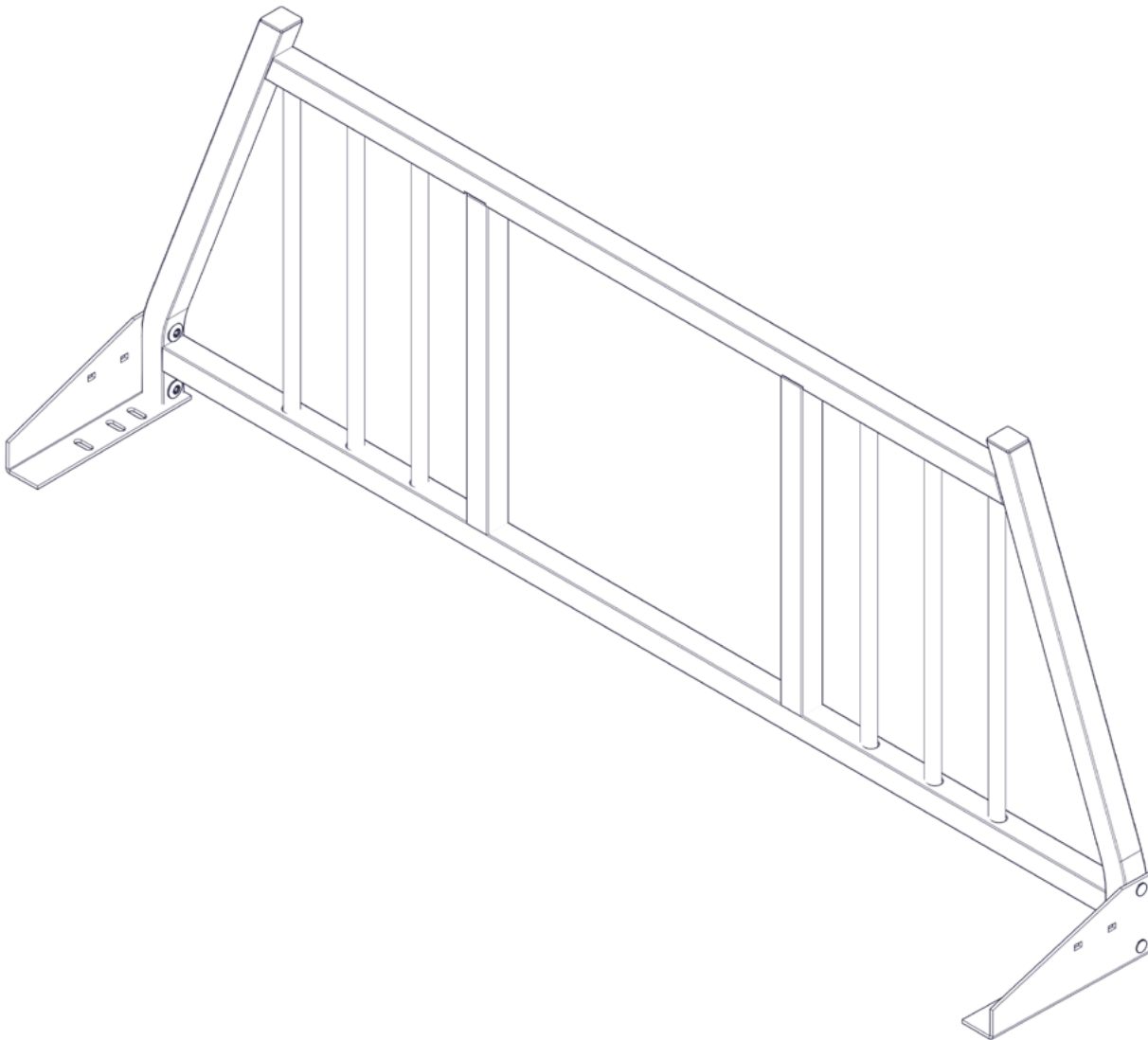


TOOLS NEEDED:



CAUTION:

This equipment is designed to be professionally installed by an approved up-fitter. Always wear ear and eye protection and exercise caution when installing Westcan products.

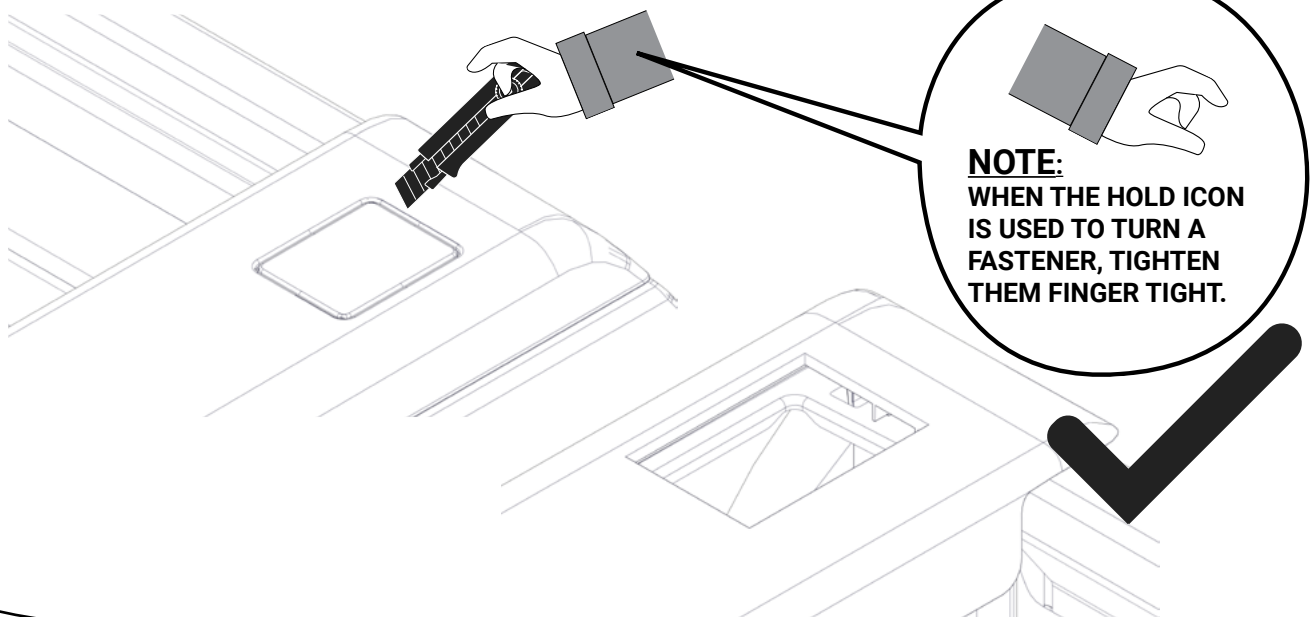


PREPARATION:

1. Ensure all parts are present and accounted for before installation. **Begin the installation of your cabguard before your rail caps.** Plan the location of your installation ahead of time and make sure your installation location does not impede any other components you are installing or damage the safety and functionality of your vehicle.
2. Exercise extreme diligence when drilling holes into a motor vehicle. Increasing complexity and model year changes can alter the location of fuel, hydraulic and electrical lines. Please visually inspect all locations prior to drilling.
3. Re-Torque the 3/8" x 1-3/4" Stainless Steel Countersink Bolt every 3 month.

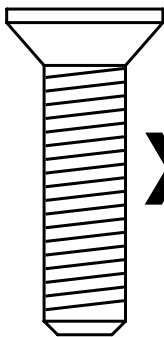
BOX CAP PREPARATION:

The RAMs truck box require the plastic truck box caps to be cut to expose the stake pocket cutout. Use the cutout outline on the front box cap, Exercise caution when cutting caps to avoid injury.

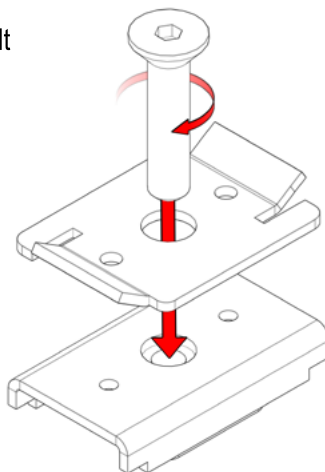


FRONT STAKE POCKET CLIP ASSEMBLY.

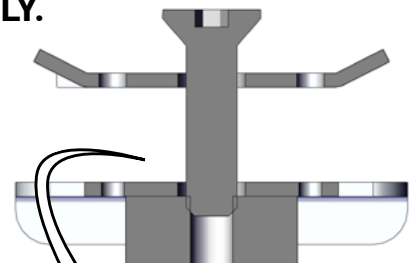
3/8 X 1 3/4 Stainless Steel Counter Sink Bolt



X 2




X 2



**THIS GAP IS
REQUIRED FOR
INSTALLATION**

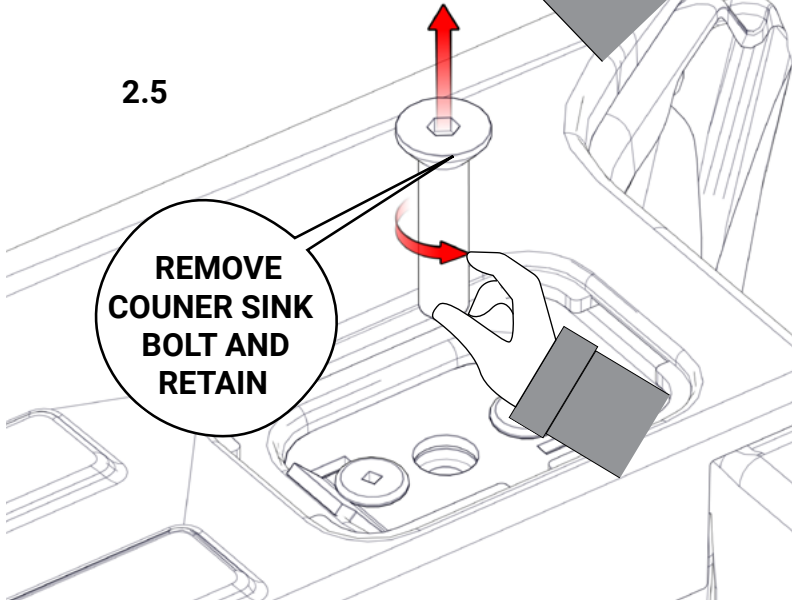
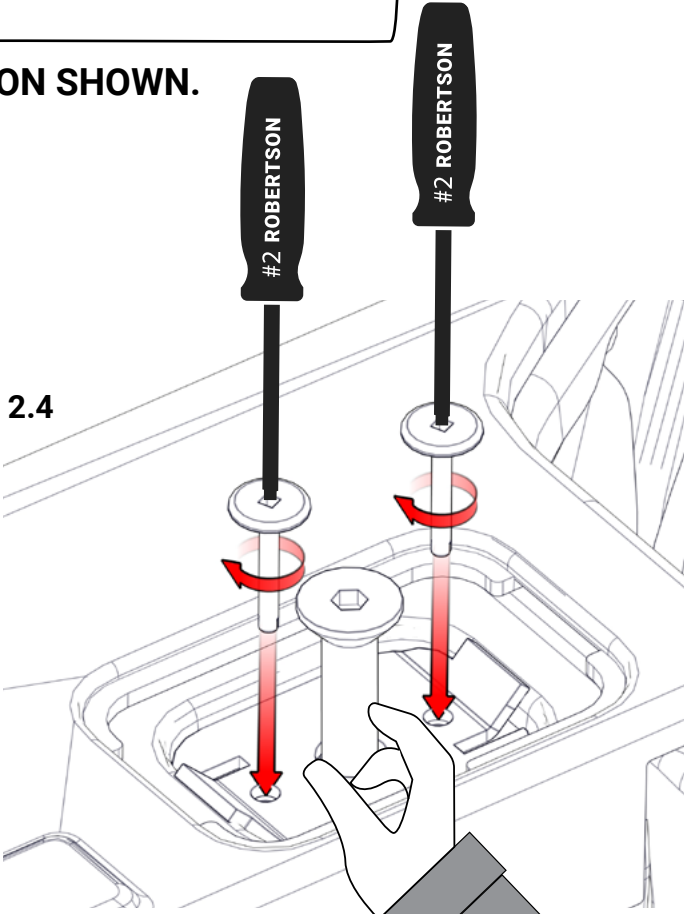
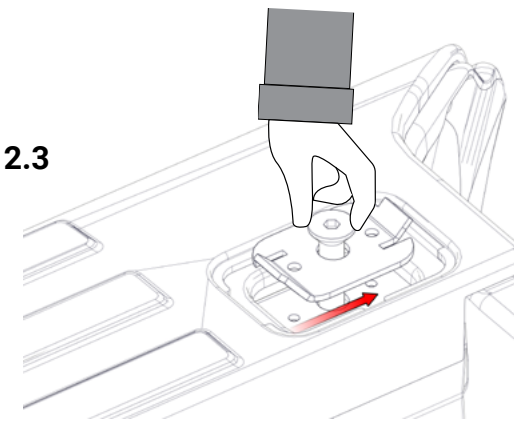
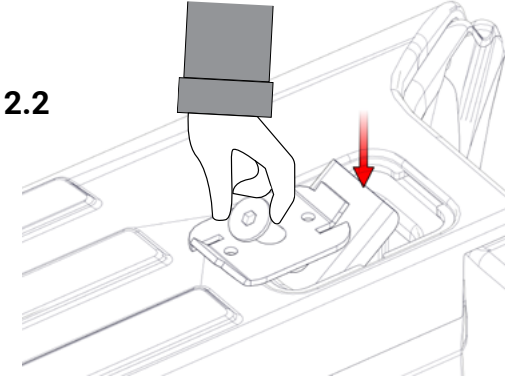
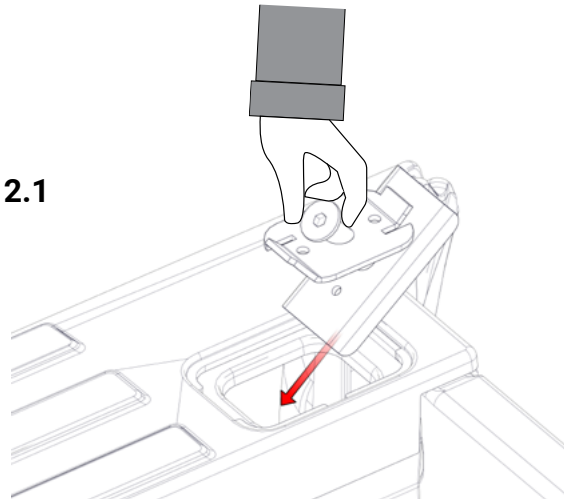
REQUIRED FOR EXTRA SHORT AND SHORT BOX

#10 - 1" Plated Zinc Robertson Powerhead Drill Tip Screw



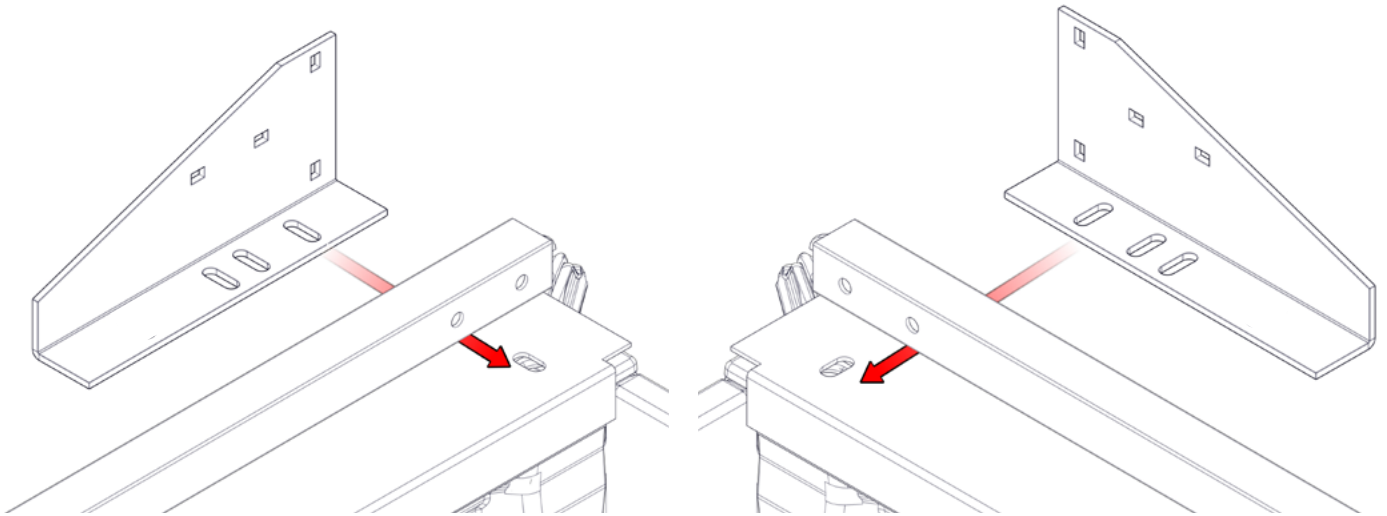
X 2 **X 4**

TYPICAL INSTALLATION SHOWN.



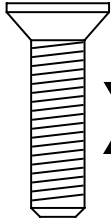
IF REQUIRED, INSTALL YOUR RAILCAPS PRIOR TO PROCEEDING WITH STEP 3 OR GO TO STEP 12 FOR INSTALLATIONS WITHOUT RAILCAPS.

3.



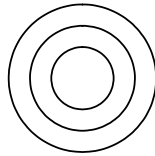
4.

3/8 X 1 3/4 Stainless Steel Counter Sink Bolt

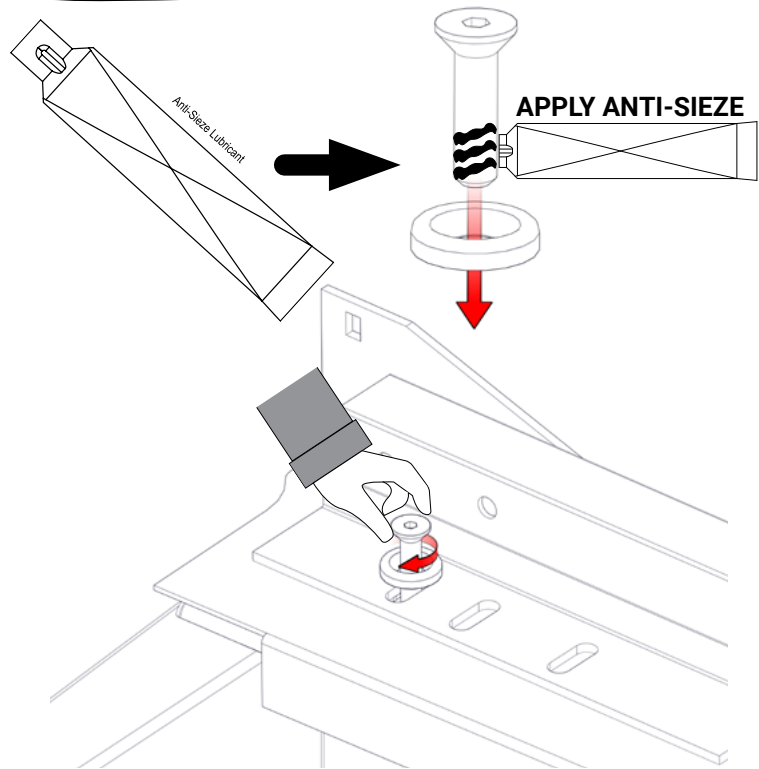


X 2

3/8" Stainless Steel Finishing Washer



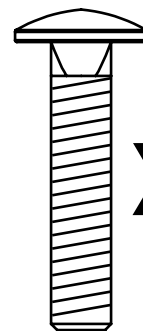
X 2



5.

HARDWARE FOR STEP 5-6 IS INCLUDED WITH YOUR RAILCAPS.

5/16 X 1-1/2 Stainless Steel Carriage Bolt

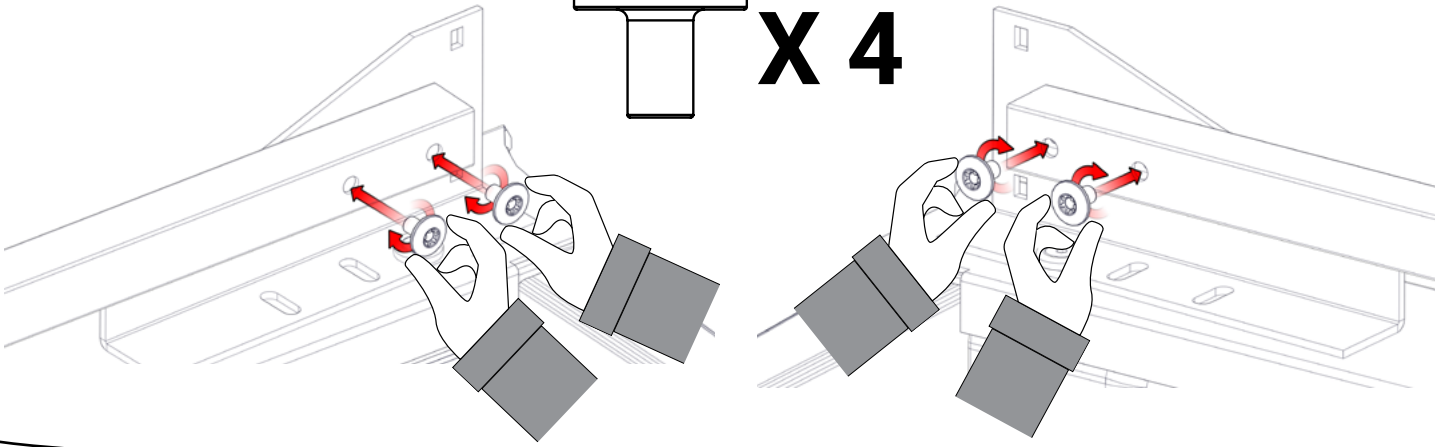
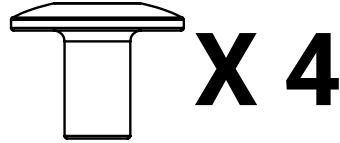


X 4

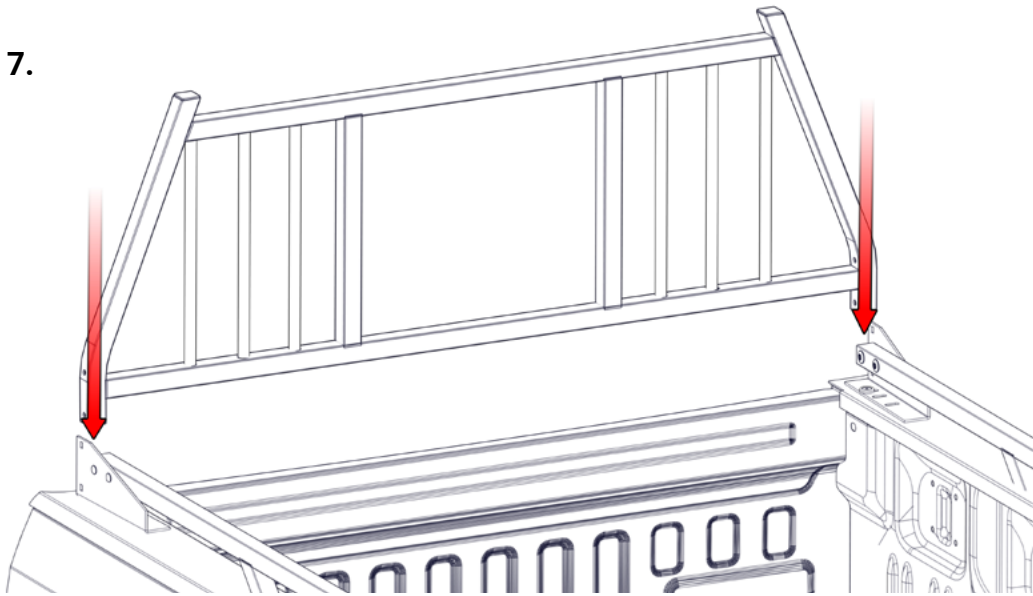


6.

5/16" X 5/8" Zinc Plated Camtainer Nut



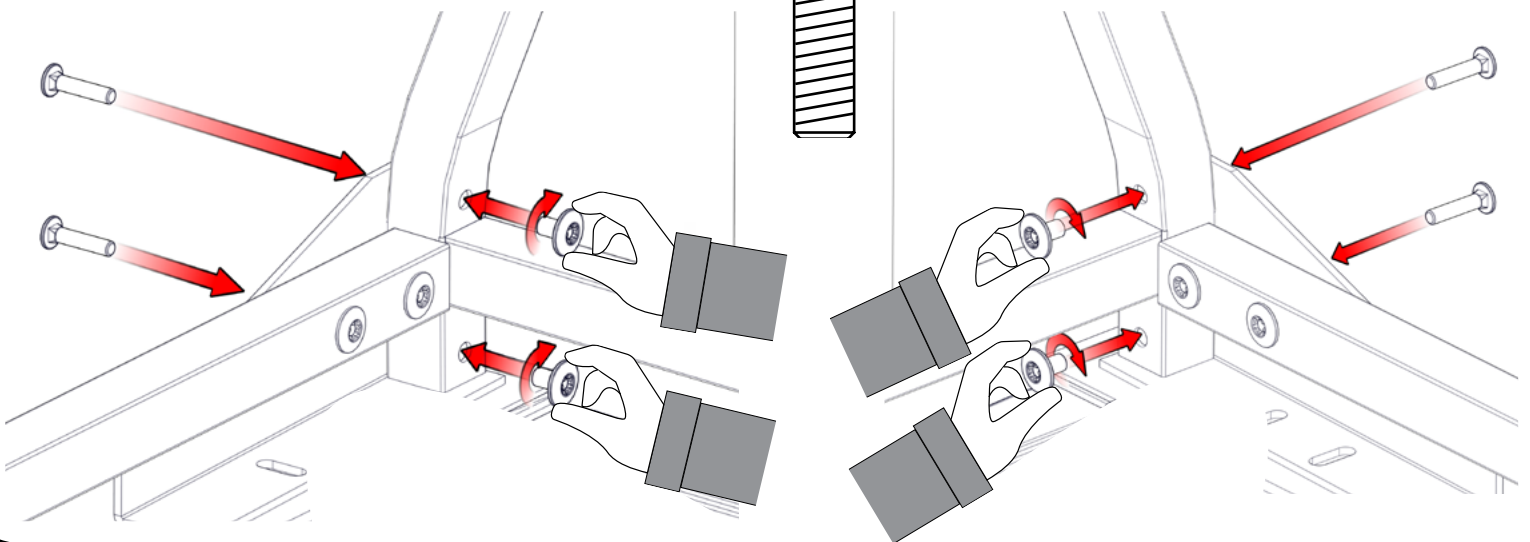
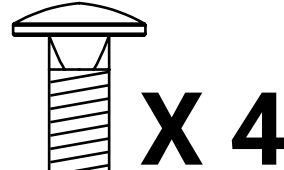
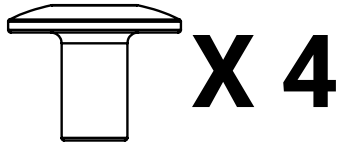
7.



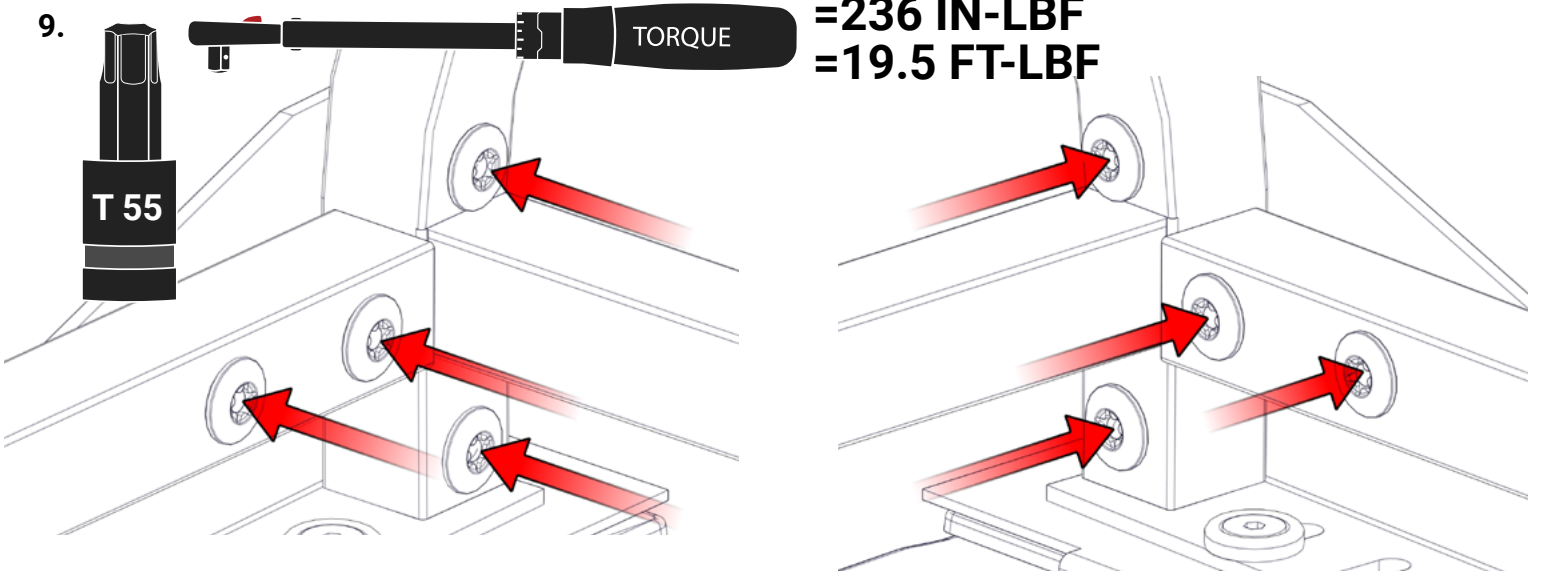
8.

5/16" X 5/8" Zinc Plated Camtainer Nut

5/16 X 1-1/2 Stainless Steel Carriage Bolt

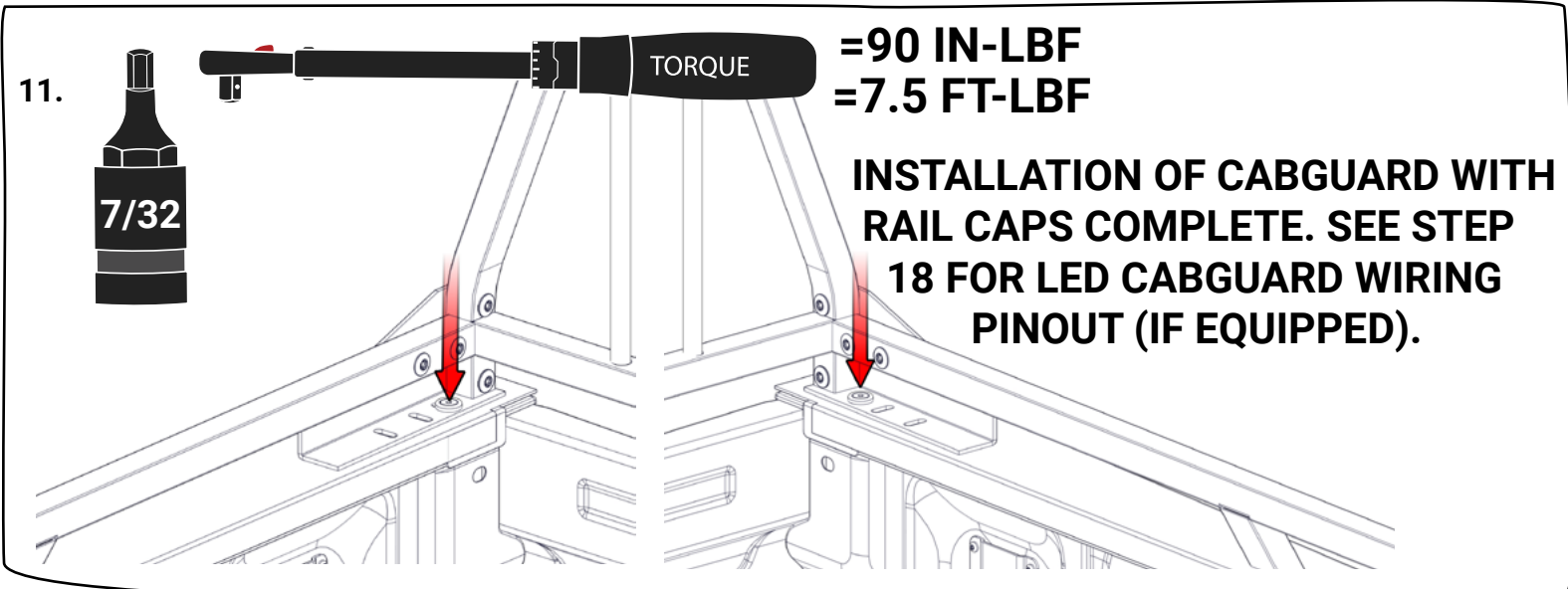


9. TORQUE =236 IN-LBF
=19.5 FT-LBF



10. **CENTER CAB GUARD ON TRUCK BOX.**

11. TORQUE =90 IN-LBF
=7.5 FT-LBF

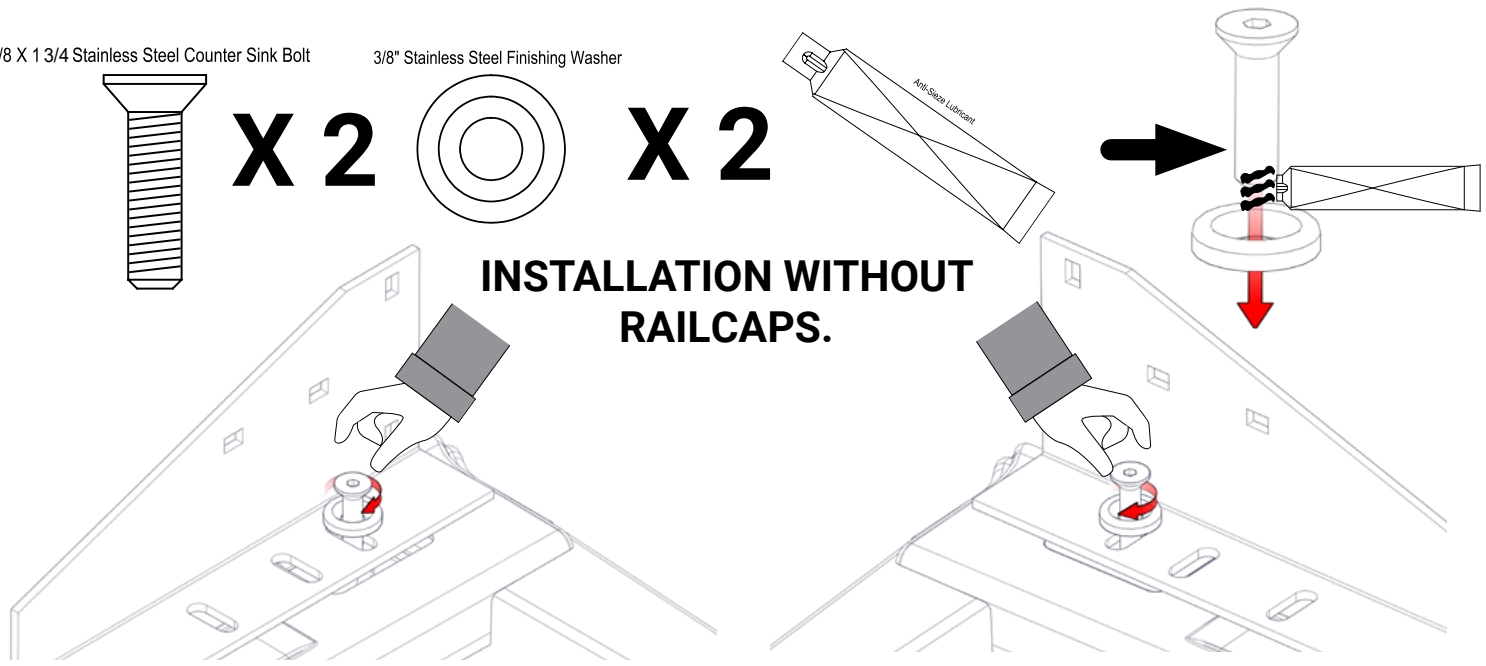


INSTALLATION OF CABGUARD WITH RAIL CAPS COMPLETE. SEE STEP 18 FOR LED CABGUARD WIRING PINOUT (IF EQUIPPED).

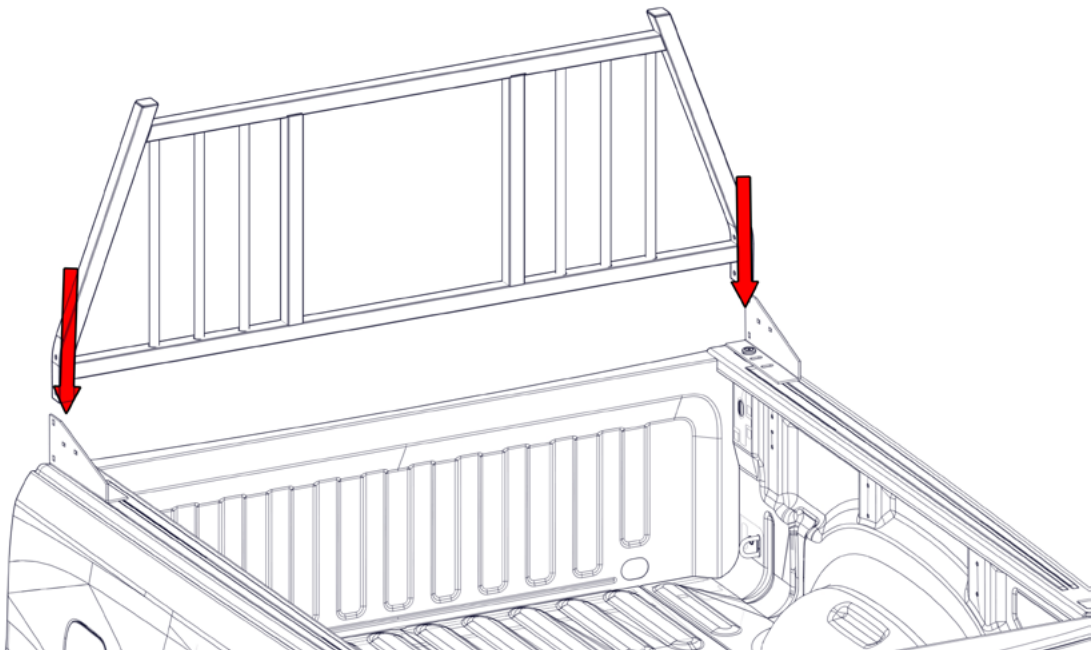
12. 3/8 X 1 3/4 Stainless Steel Counter Sink Bolt 3/8" Stainless Steel Finishing Washer



INSTALLATION WITHOUT RAILCAPS.



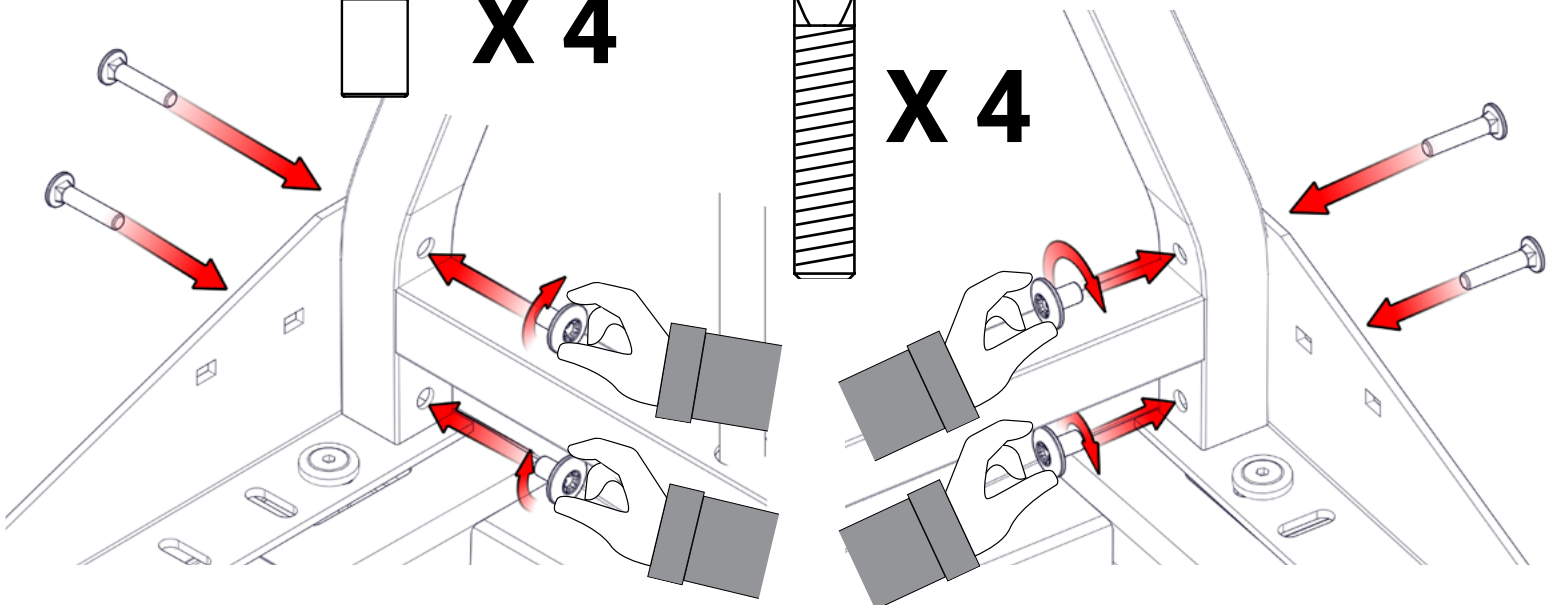
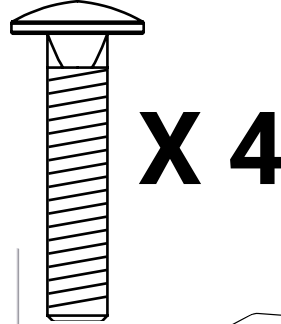
13.



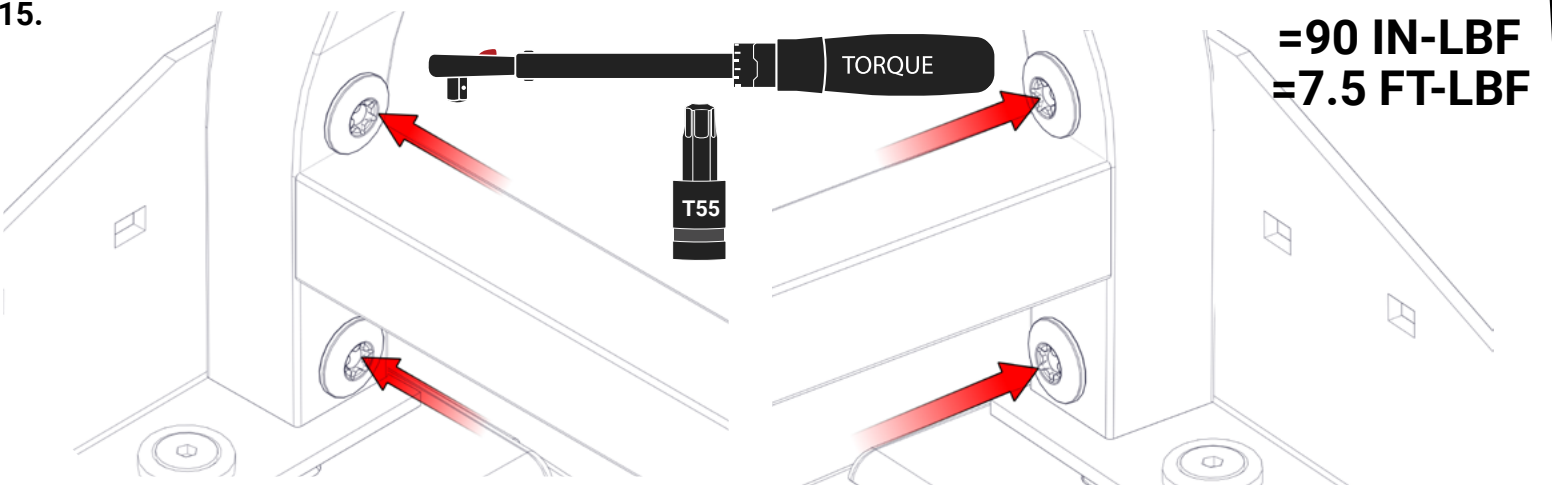
14.

5/16" X 5/8" Zinc Plated Camtainer Nut

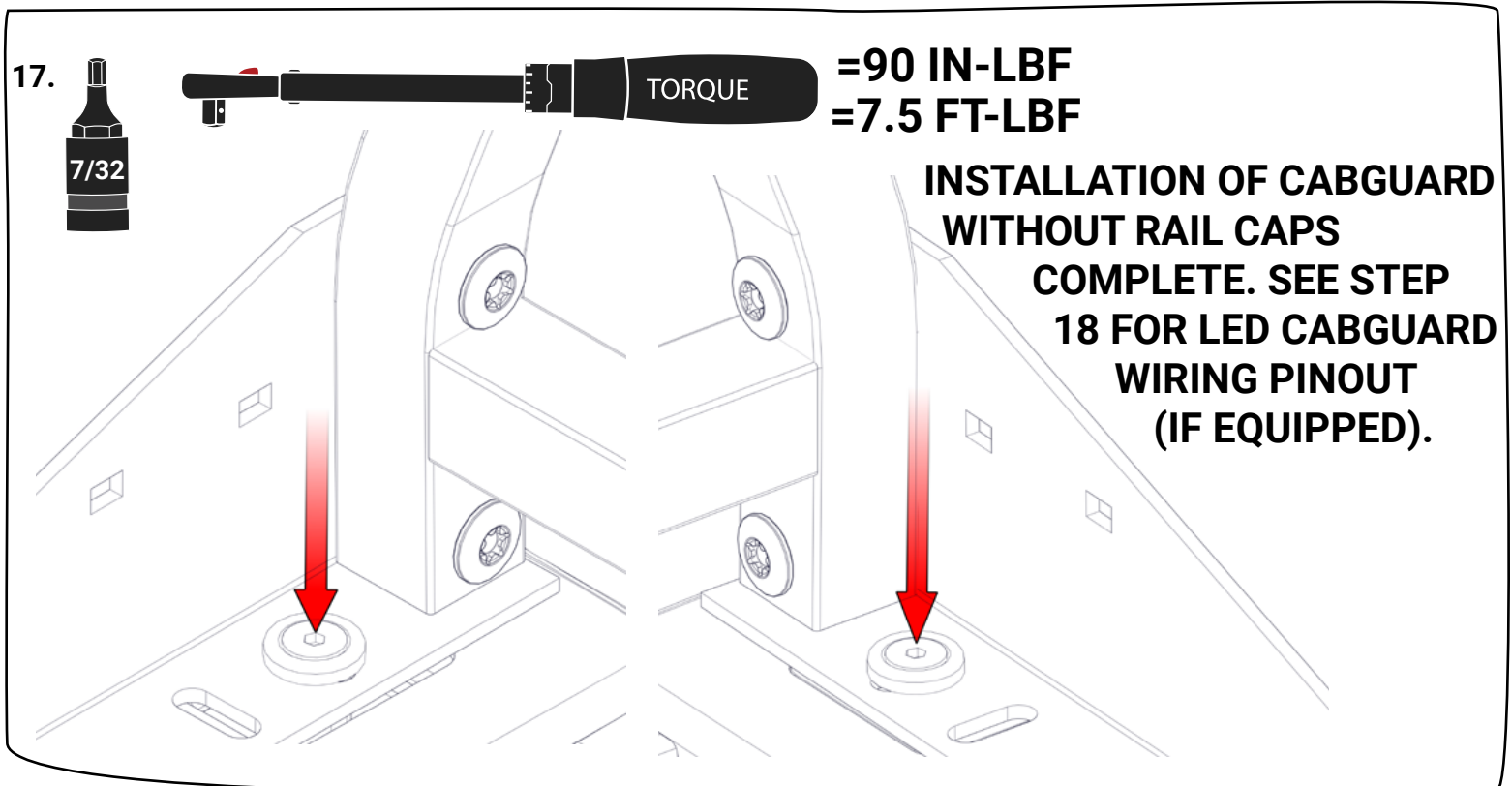
5/16 X 1-1/2 Stainless Steel Carriage Bolt



15.



**16. CENTER CAB GUARD ON TRUCK BOX AND
INSTALL A SECONDARY HOLD DOWN KIT.**



**18. IF YOUR INSTALLING A LED CABGUARD
PLEASE REFER TO THE WIREING PINOUT
BELOW.**

- **Red = Left Turn Signal**
- **Yellow = Right Turn Signal**
- **Black = Tail / Marker Lights**
- **Blue = Back Up Lights**
- **White = Chassis Ground**